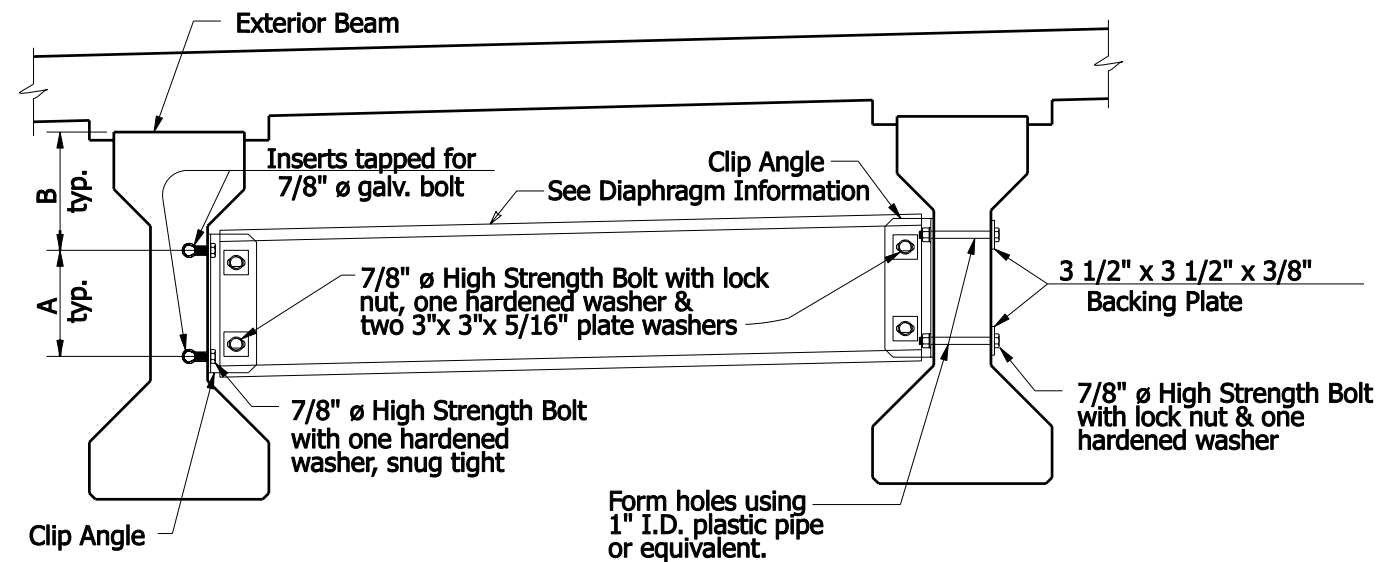


**INTERMEDIATE DIAPHRAGM**  
*Typical for Square Structure*



**INTERMEDIATE DIAPHRAGM**  
*Typical for Skewed Structure*

Diaphragm Information							
Beam Type	Dimension						Channel Type
	A	B	C	D	E	F	
Type II	9"	1'-0"	1'-1"	6"	3 1/2"	3"	C 12 x 20.7
Type III	1'-1"	1'-2 1/2"	1'-5"	10"	3 1/2"	4"	MC 18 x 42.7
Type IV	1'-4"	1'-5 1/2"	1'-8"	10"	5"	4"	MC 18 x 42.7

**NOTES:**

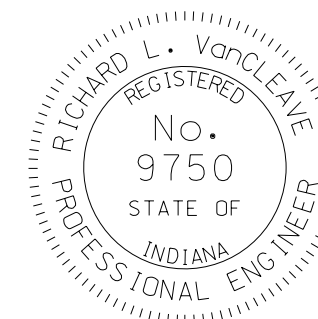
1. See Standard Drawing E 707-SDPC-02 for connection details.

INDIANA DEPARTMENT OF TRANSPORTATION

STEEL DIAPHRAGMS  
AASHTO I-BEAMS

SEPTEMBER 2007

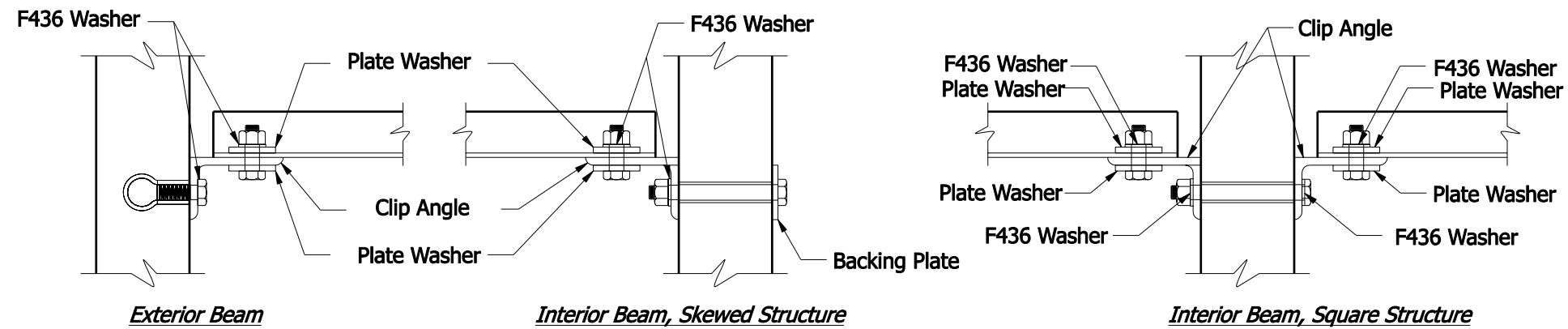
STANDARD DRAWING NO. E 707-SDPC-01



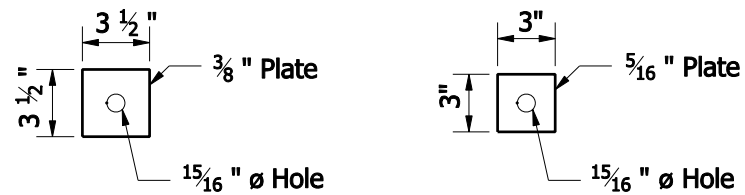
DESIGN STANDARDS ENGINEER

*/s/ Richard L. VanCleave* 09/04/07  
DESIGN STANDARDS ENGINEER DATE

*/s/ Mark A. Miller* 09/04/07  
CHIEF HIGHWAY ENGINEER DATE

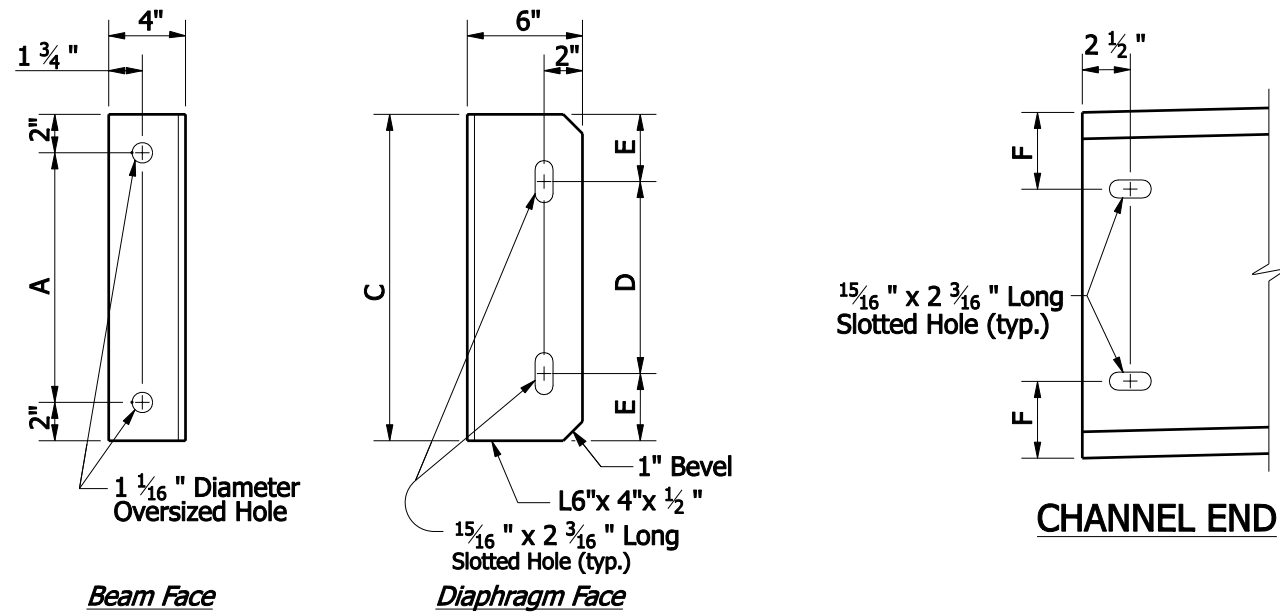


**CONNECTION DETAILS**



**BACKING PLATE**  
Skewed Structure Only

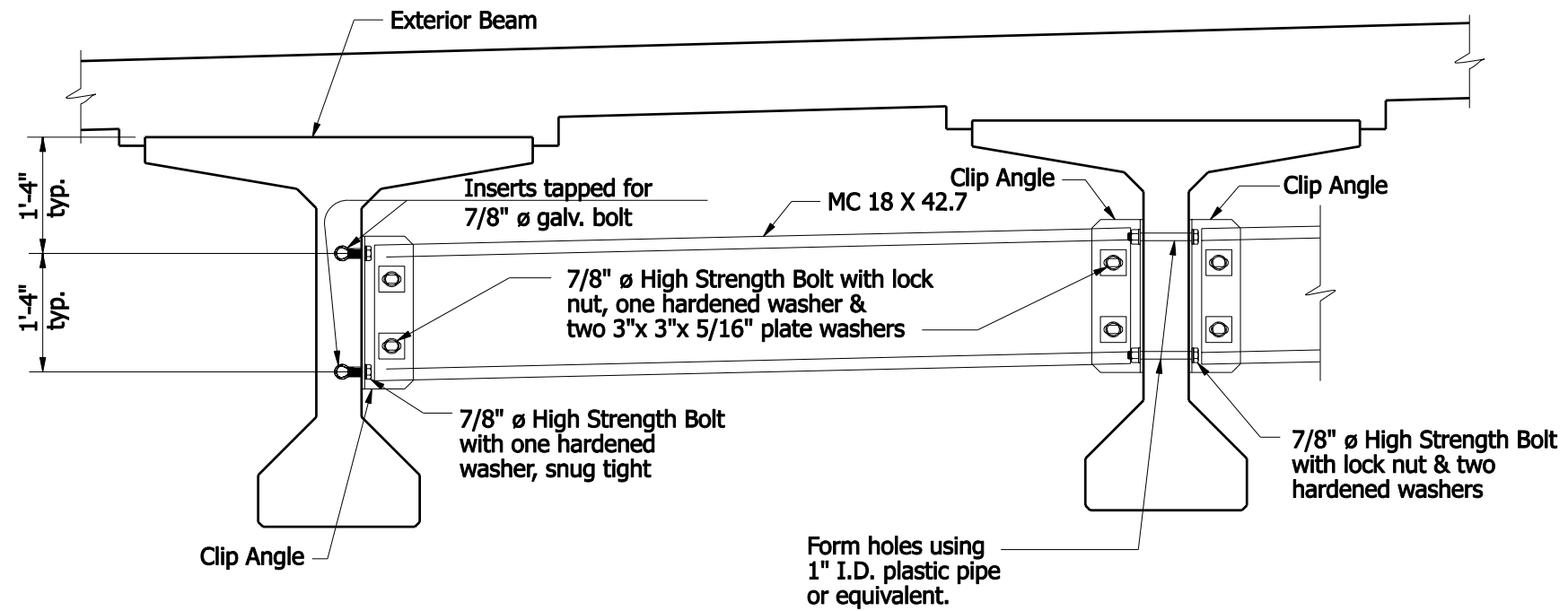
**PLATE WASHER**



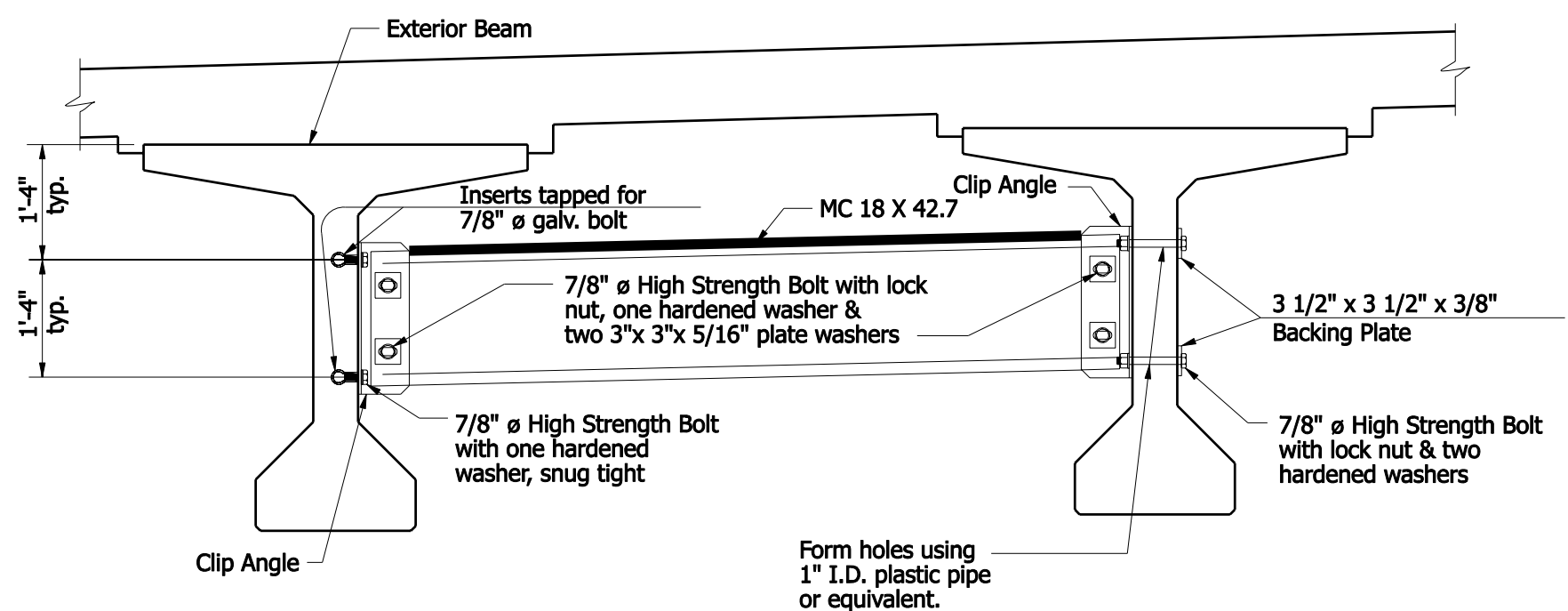
**CLIP ANGLE**

**CHANNEL END**

INDIANA DEPARTMENT OF TRANSPORTATION	
STEEL DIAPHRAGMS AASHTO I-BEAMS	
SEPTEMBER 2007	
STANDARD DRAWING NO. E 707-SDPC-02	
	<i>/s/ Richard L. vanCleave</i> 09/04/07 DESIGN STANDARDS ENGINEER      DATE
DESIGN STANDARDS ENGINEER	<i>/s/ Mark a. Miller</i> 09/04/07 CHIEF HIGHWAY ENGINEER      DATE



**INTERMEDIATE DIAPHRAGM**  
*Typical for Square Structure*

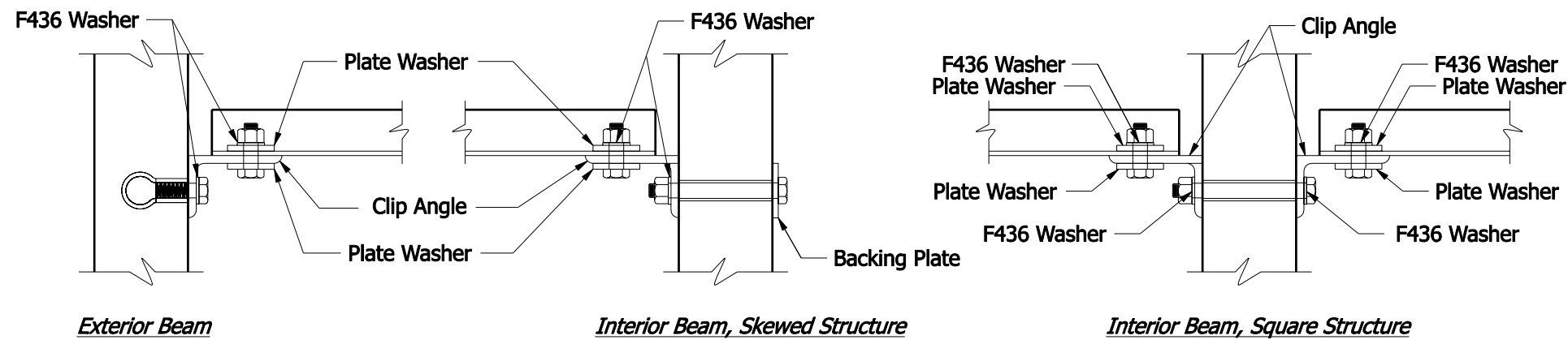


**INTERMEDIATE DIAPHRAGM**  
*Typical for Skewed Structure*

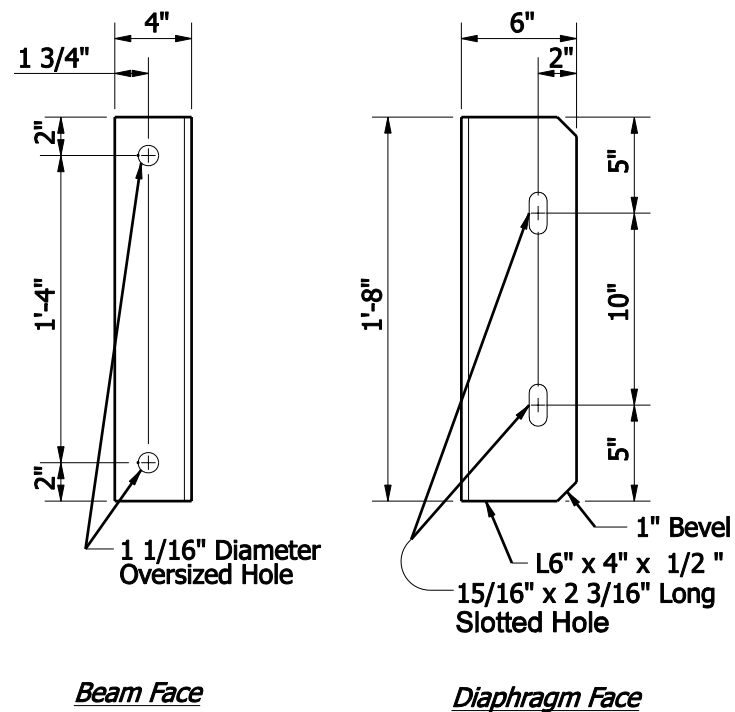
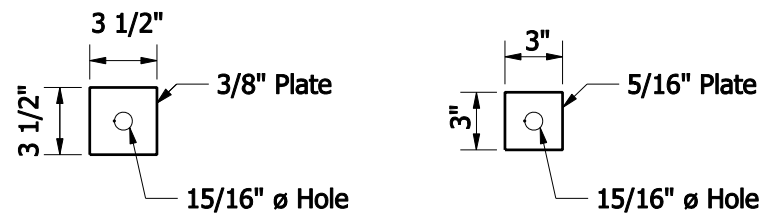
**NOTES:**

1. See Standard Drawing E 707-SDPC-04 for connection details.

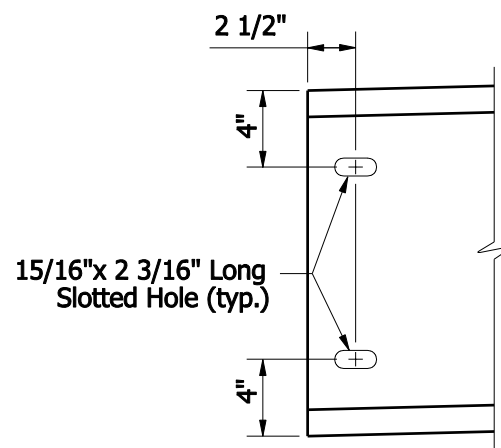
INDIANA DEPARTMENT OF TRANSPORTATION	
STEEL DIAPHRAGMS INDIANA BULB-TEES, 54-IN. DEPTH	
SEPTEMBER 2007	
STANDARD DRAWING NO. E 707-SDPC-03	
	<p><i>/s/ Richard L. VanCleave</i>      09/04/07  DESIGN STANDARDS ENGINEER      DATE</p> <p><i>/s/ Mark A. Miller</i>      09/04/07  CHIEF HIGHWAY ENGINEER      DATE</p>
DESIGN STANDARDS ENGINEER	



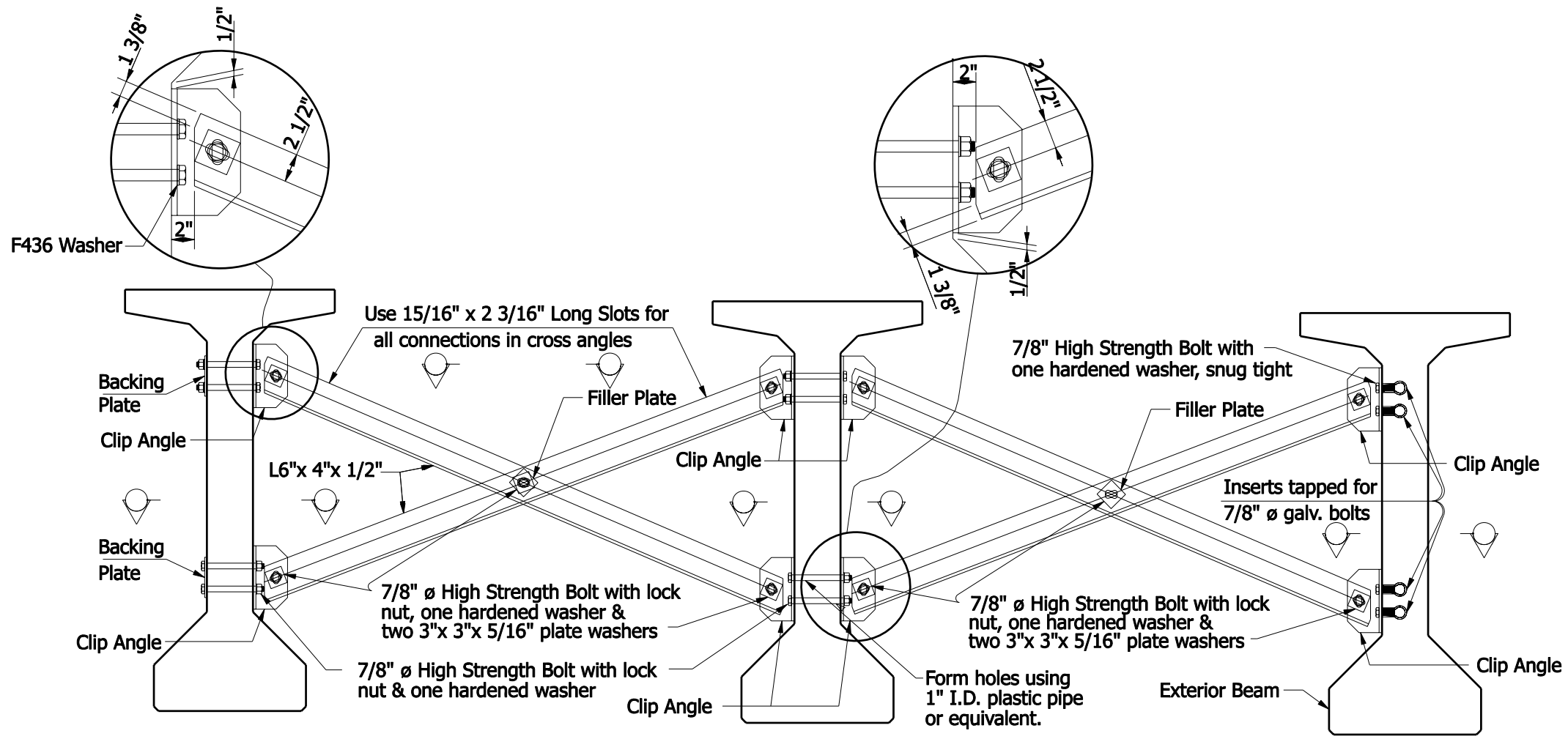
**CONNECTION DETAILS**



**CLIP ANGLE**



INDIANA DEPARTMENT OF TRANSPORTATION	
STEEL DIAPHRAGMS INDIANA BULB-TEES, 54-IN. DEPTH	
SEPTEMBER 2007	
STANDARD DRAWING NO. E 707-SDPC-04	
	<i>/s/ Richard L. VanCleave</i> 09/04/07 DESIGN STANDARDS ENGINEER    DATE
DESIGN STANDARDS ENGINEER	<i>/s/ Mark A. Miller</i> 09/04/07 CHIEF HIGHWAY ENGINEER    DATE

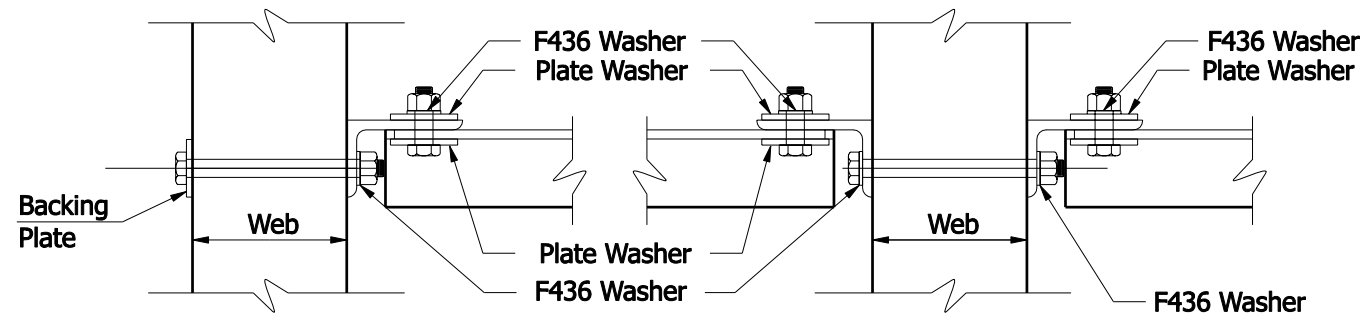


**NOTES:**

1. See Standard Drawing E 707-SDPC-06 for connection details.

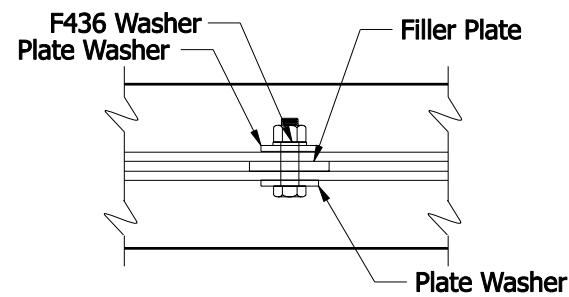
**INTERMEDIATE DIAPHRAGM DETAILS**

INDIANA DEPARTMENT OF TRANSPORTATION	
STEEL DIAPHRAGMS INDIANA BULB-TEES, 60 IN. OR DEEPER	
SEPTEMBER 2007	
STANDARD DRAWING NO. E 707-SDPC-05	
	<i>/s/ Richard L. VanCleave</i> 09/04/07 DESIGN STANDARDS ENGINEER    DATE
DESIGN STANDARDS ENGINEER	<i>/s/ Mark A. Miller</i> 09/04/07 CHIEF HIGHWAY ENGINEER    DATE

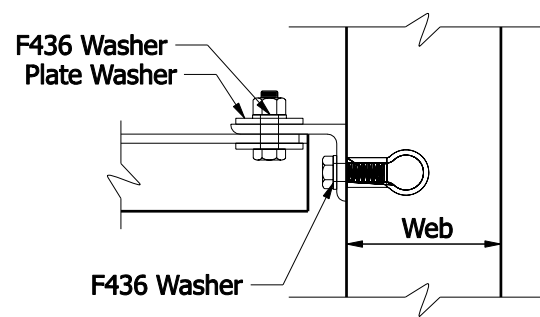


**SECTION T-T**  
*Interior Beam, Skewed Structure*

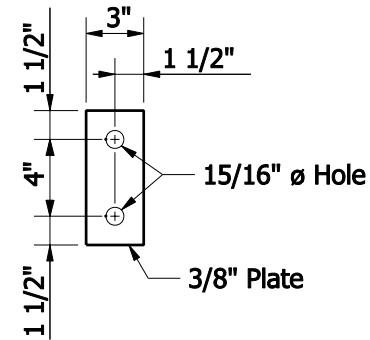
**SECTION B-B**  
*Interior Beam, Square Structure*



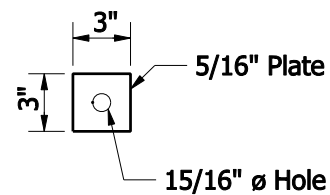
**SECTION X-X**



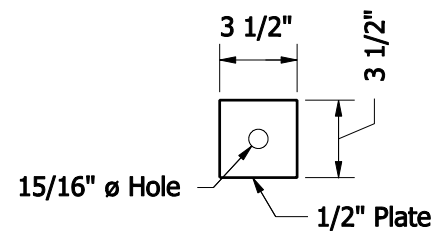
**SECTION E-E**  
*Exterior Beam*



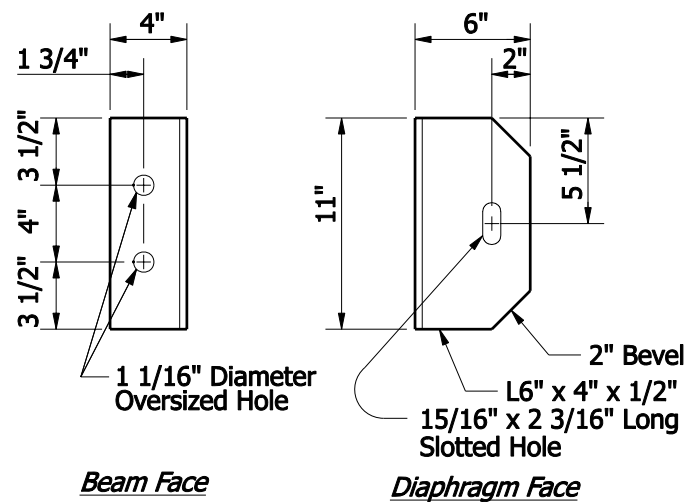
**BACKING PLATE**



**PLATE WASHER**



**FILLER PLATE**



**CLIP ANGLE**

INDIANA DEPARTMENT OF TRANSPORTATION	
STEEL DIAPHRAGMS INDIANA BULB-TEES, 60 IN. OR DEEPER	
SEPTEMBER 2007	
STANDARD DRAWING NO. E 707-SDPC-06	
	<i>/s/ Richard L. VanCleave</i> 09/04/07 DESIGN STANDARDS ENGINEER    DATE
DESIGN STANDARDS ENGINEER	<i>/s/ Mark A. Miller</i> 09/04/07 CHIEF HIGHWAY ENGINEER    DATE